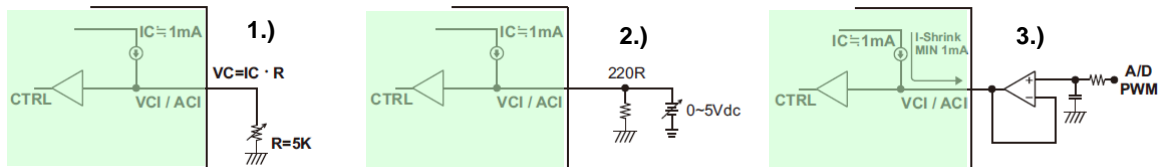


Multiple ways Remote Control AE , AEK & ME Series

Programmable Power Supply, AE, AEK and ME, are able to be remote controlled by following ways,

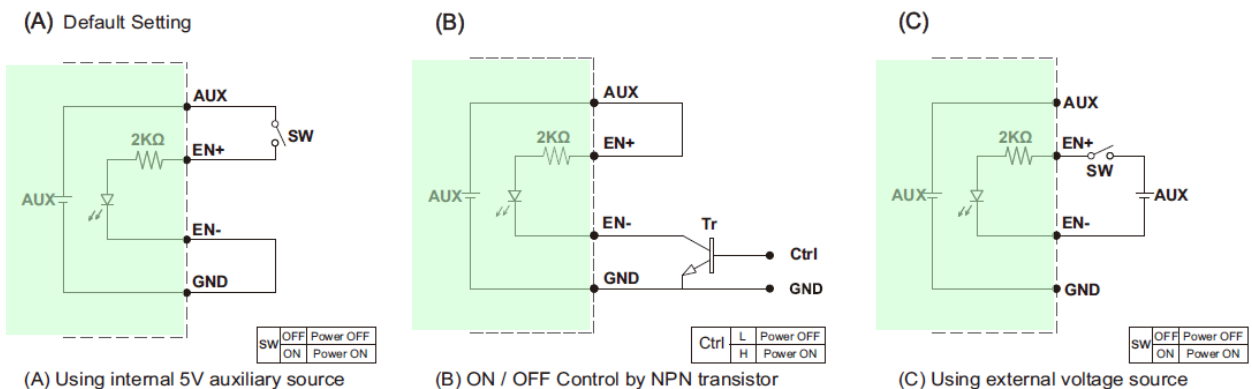
1. Programmable both output voltage & output current through following ,

- 1.) External potential meter (Precision Variable Resister, 5 Kohm)
- 2.) External DC 0 ~ 5V
- 3.) A/D PWM
- 4.) RS232, RS485 and I²C (need an optional Interface card, CT-xxx)
- 5.) Built-in Potential Meter to fine adjustment output voltage ± 5%



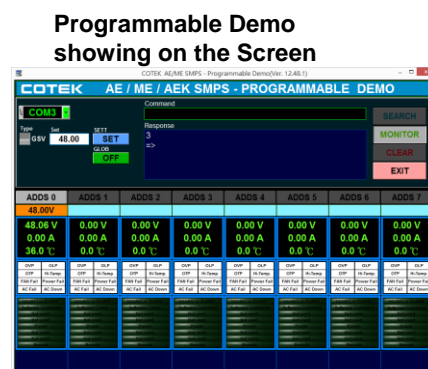
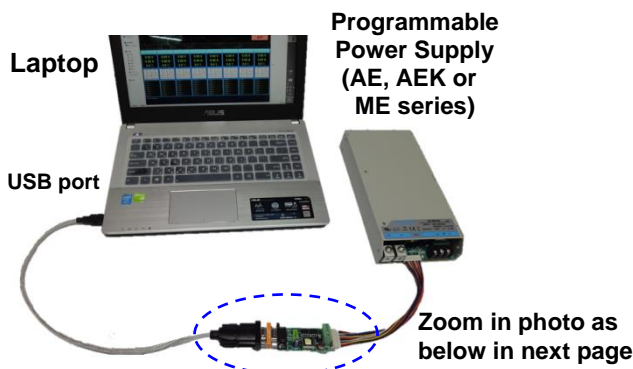
2. Remote ON/OFF , through following ,

- A.) Through internal 5V auxiliary source and external switch.
- B.) Through external NPN transistor
- C.) Through external voltage source and switch
- D.) Through RS232, RS485, I²C



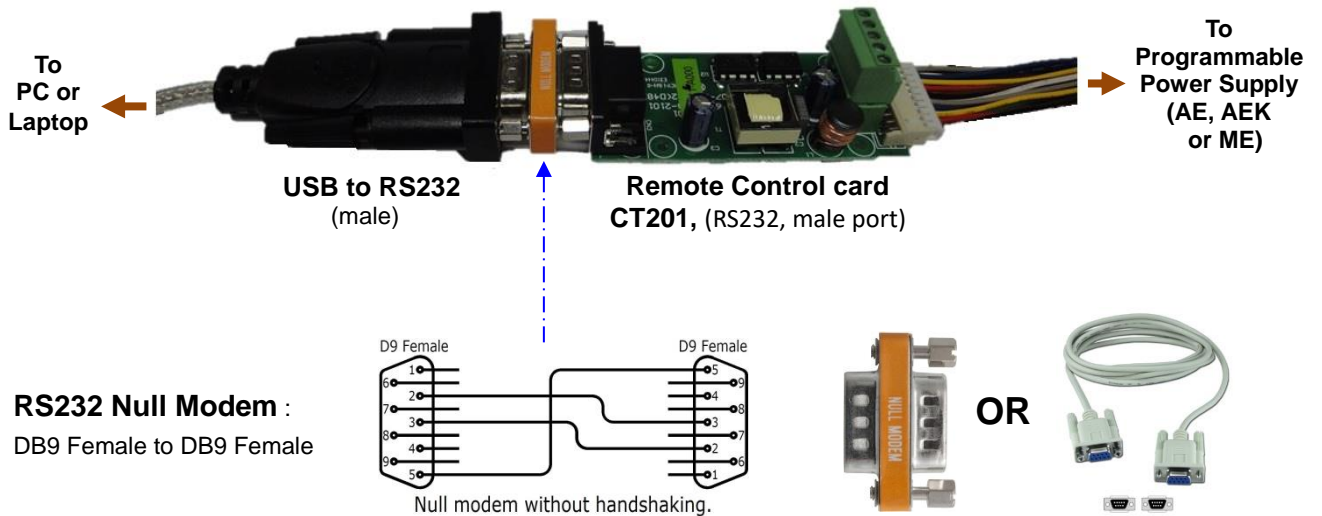
GND shown in above diagram is referring to the GND of CN2, not the Grounding from main power(NEG-).

3. Remote Control & Monitor by PC or Laptop through RS-232,



To remote control SMPS series of AE, AEK or ME by PC or Laptop, we need to prepare following,

- 1.) CT-xxx , Controller Board, with flat cables (option)
- 2.) Null Modem (Female to Female, as below, option or prepared by buyer)
- 3.) USB to RS232 Transfer cable , with driver (option or prepared by buyer)
- 4.) PC or Laptop (prepared by buyer)
- 5.) Communication Protocol (please contact with COTEK authorized distributor)
- 6.) Software Program (Like free AE Demo Program RT, or buyer own develop program)



Detail of RS-232 and RS-485 and I²C , please refer to “Communication Protocol User Manual”.

If you want to know how to setup remote control via PC, please refer to following videos in YouTube,

- 5 easy steps to setup the Hardware :
<https://www.youtube.com/watch?v=UEeZd9BB0c0>
- 6 easy steps to setup Program RT :
https://www.youtube.com/watch?v=aR2gwgY_jhE
- How to query and turn on the power, as well as setting the output voltage and current :
<https://www.youtube.com/watch?v=ffeNM92w-64>
- How to query the status of COTEK power supply :
<https://www.youtube.com/watch?v=Wjerwxd4kFE>
- How to query the device information :
<https://www.youtube.com/watch?v=KXrFzYAjvyw>